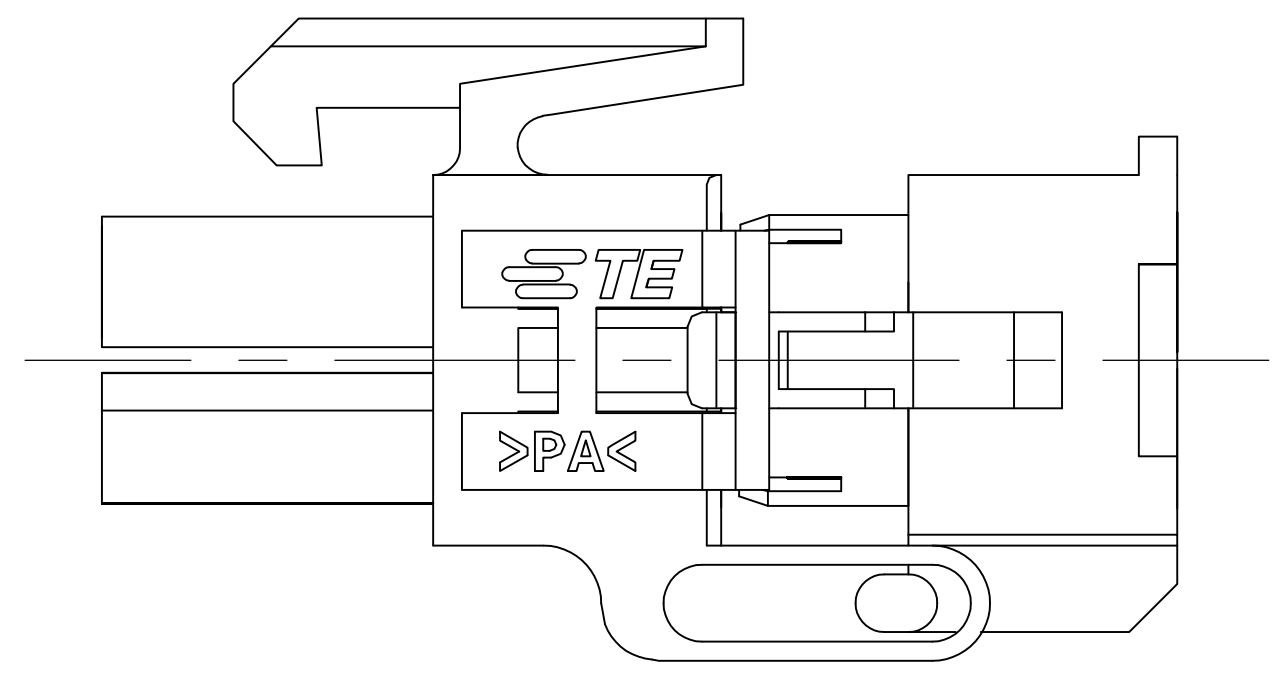
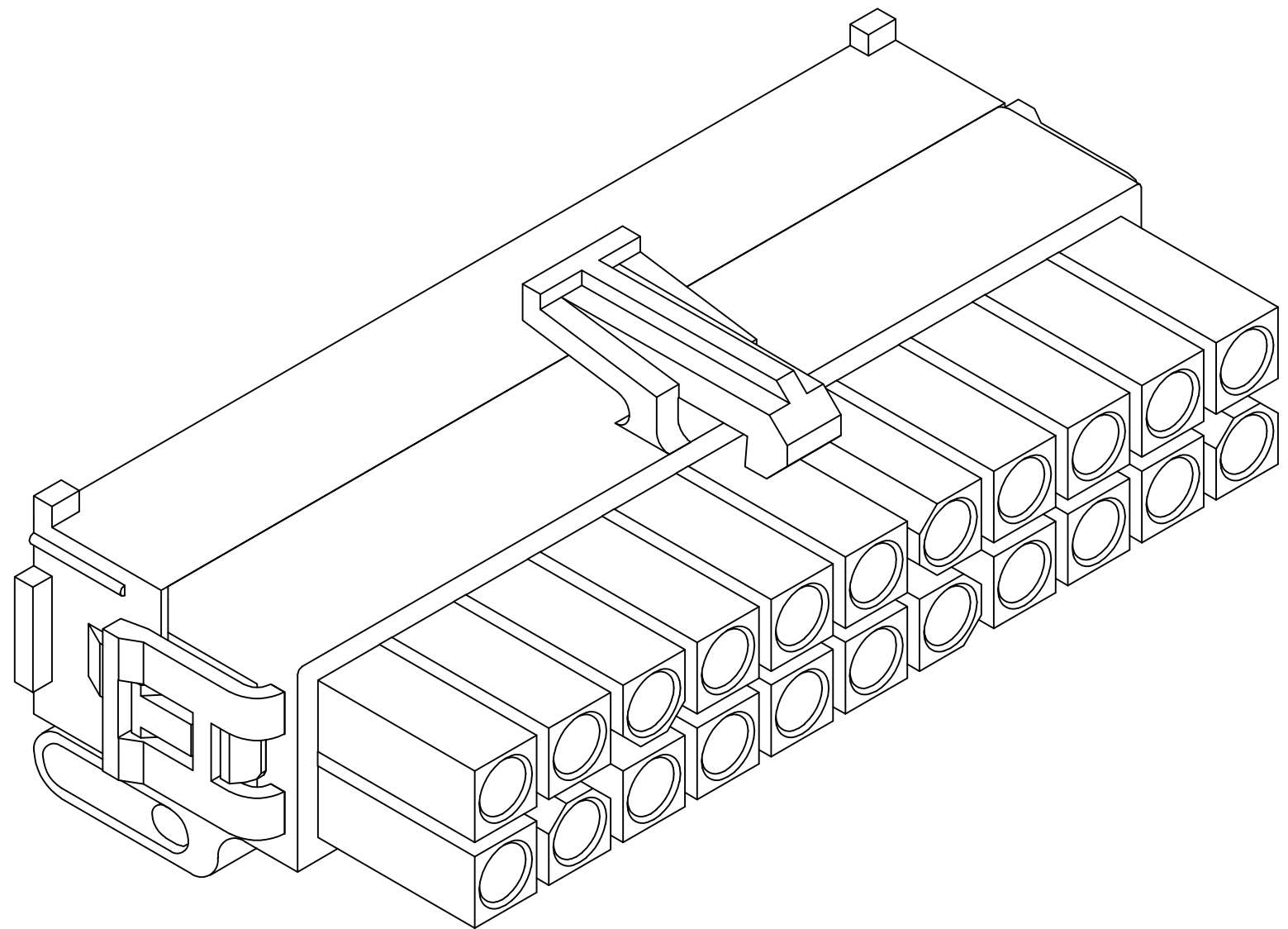
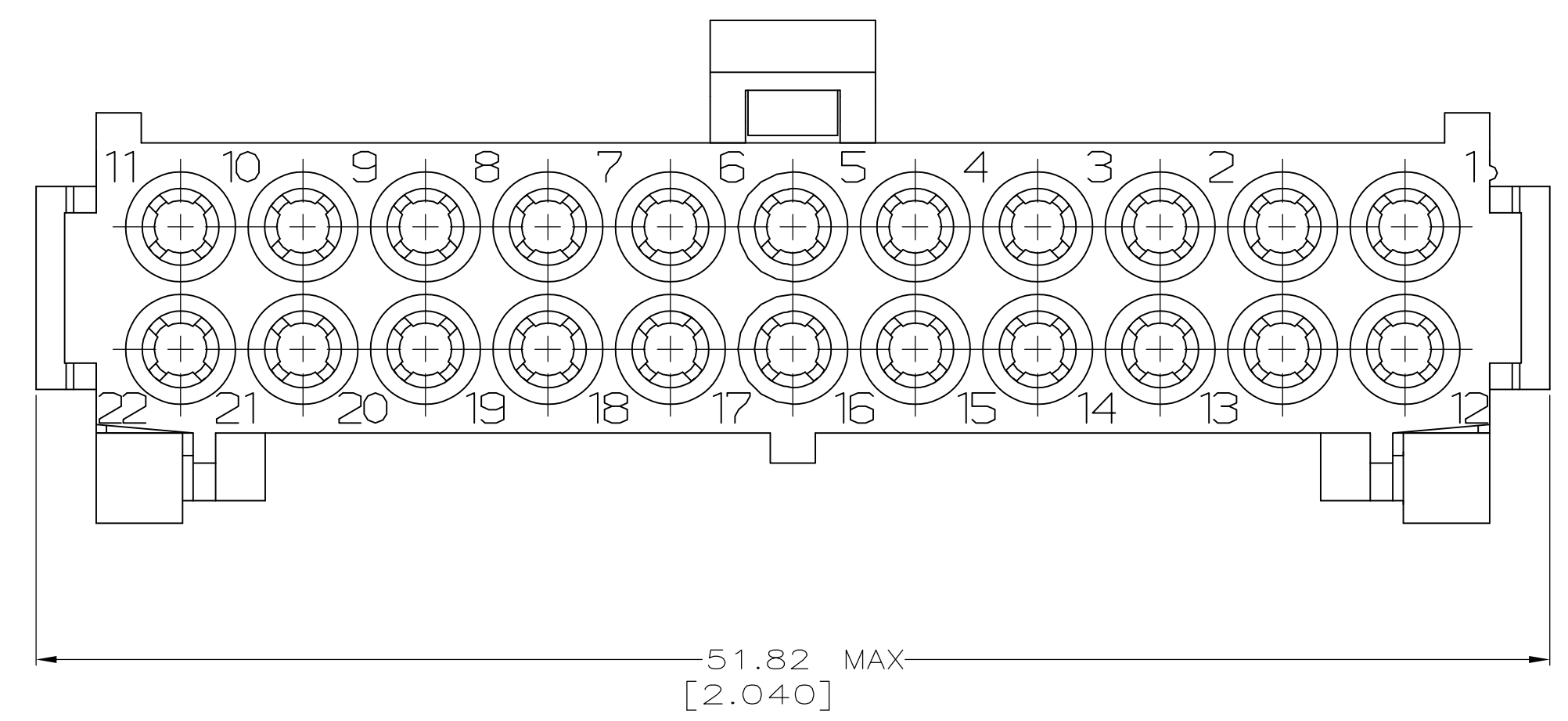
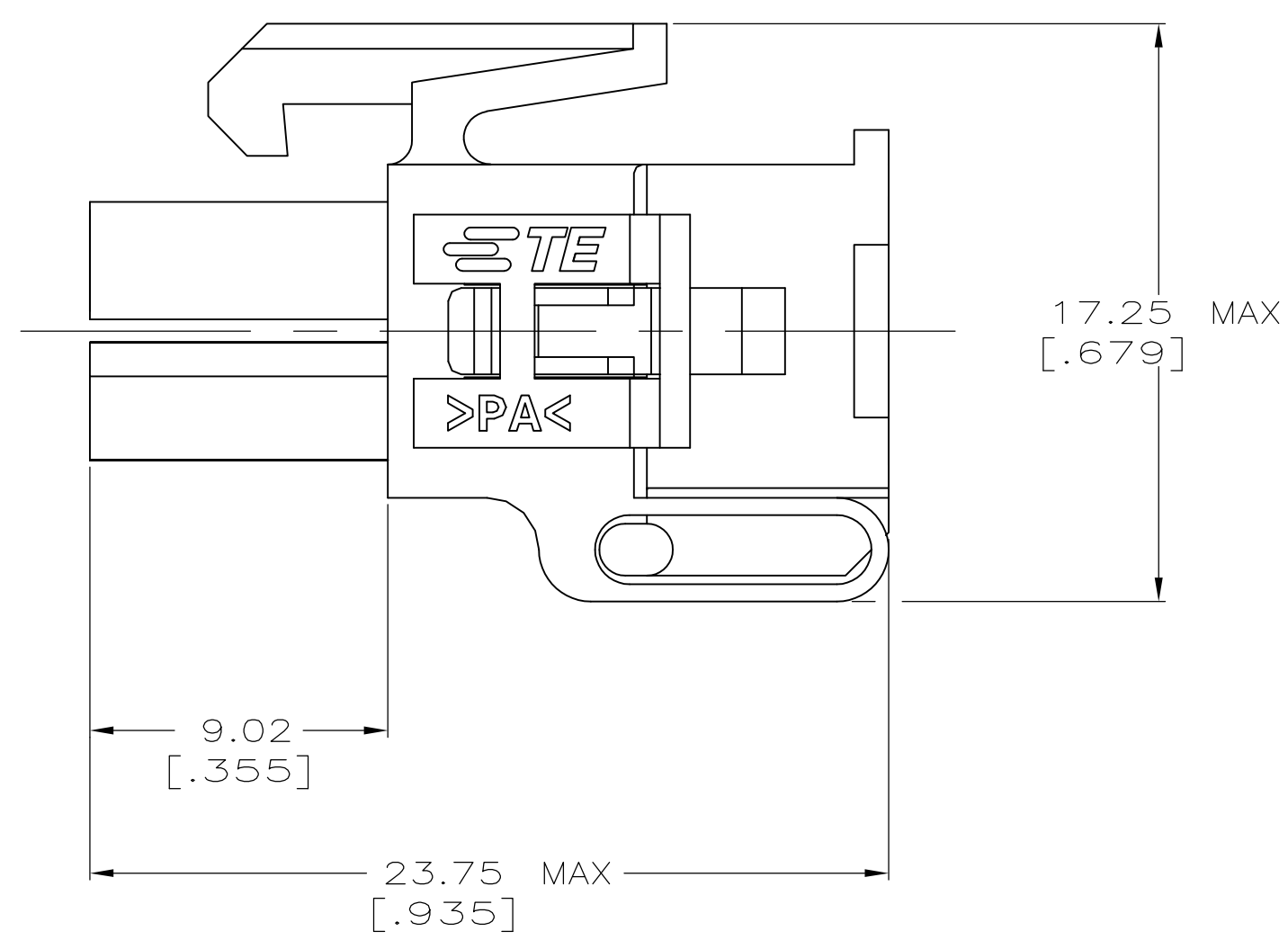
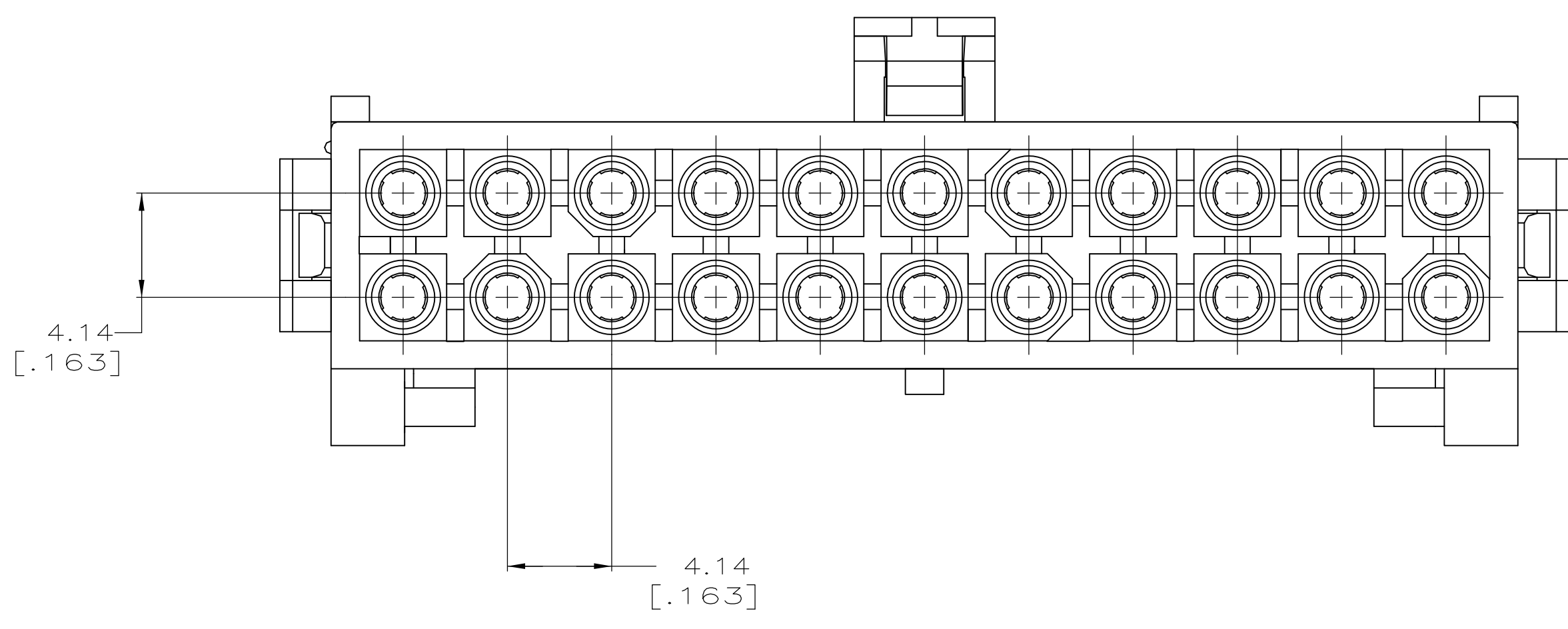


| LOC |     | DIST                      |         | REVISIONS |      |  |  |
|-----|-----|---------------------------|---------|-----------|------|--|--|
| P   | LTR | DESCRIPTION               | DATE    | DMN       | APVD |  |  |
| CM  | 53  |                           |         |           |      |  |  |
| C2  |     | REVISED PER ECR-15-003326 | 06MAR15 | SC        | KD   |  |  |

1 DIMENSIONS IN BRACKETS ARE IN INCHES.



PRE-STAGED CONDITION



3-DIMENSIONAL MODEL NTS

METRIC

794212-1  
PART NUMBER

|  |  |  |  |
|--|--|--|--|
| THIS DRAWING IS A CONTROLLED DOCUMENT. |  | DWG: K. WHITAKER 5-20-97               | TE Connectivity                                      |
|  |  | CHK: R. SWING 5-20-97                  |  |
|  |  | APP'D: R. ORSTAD 5-20-97               | NAME: PLUG, 22 CIRCUIT, MINI UNIVERSAL MATE-N-LOK™ 2 |
| DIMENSIONS: mm                         |  | TOLERANCES UNLESS OTHERWISE SPECIFIED: | PRODUCT SPEC: --                                     |
|  |  | 0. PLC ± -                             | APPLICATION SPEC: --                                 |
|  |  | 1. PLC ± -                             | SIZE: A1   |
|  |  | 2. PLC ± -                             | SCALE: 5:1   |
|  |  | 3. PLC ± 0.13 [.005]                   | SHEET 1 OF 1   |
|  |  | 4. PLC ± -                             | REV: C2  |
|  |  | ANGLES ± -                             |  |
| MATERIAL: NYLON, UL94V-0, NATURAL      |  | FINISH: -                              | RESTRICTED TO: --                                    |
|  |  | WEIGHT: --                             | CUSTOMER DRAWING                                     |
|  |  | SIZE: A1                               | 00779 C=794212                                       |